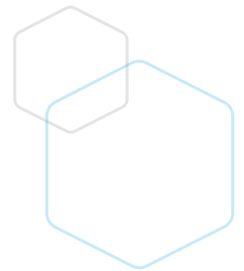




## CB-PI2030XR

2MP Network IR PTZ  
with 30x Optical zoom



### Key Features

- > 1/2.8" Progressive Scan CMOS
- > 30x Optical Zoom, 16X Digital Zoom
- > H.265 encoding 2MP@50fps
- > WDR (120db)
- > Smart IR Range 200m
- > Auto Tracking, video analytics features
- > Low bitrate, Good low light performance

### Overview

Featuring powerful 30x optical zoom and accurate pan/tilt/zoom performance, **CB-PI2030XR** can provide large monitoring range in great detail. With Auto Tracking and embedded video analytics features **CB-PI2030XR** is an excellent choice for large parking lots and surveillance of wide areas.

## SPECIFICATIONS

## CAMERA

Image Sensor	1/2.8" Progressive Scan CMOS
Effective Pixels	1920(H) x 1080(V)
Scanning System	Progressive
Electronic Shutter	Auto/Manual, 1/5~1/20,000s
Min. illumination	Color:0.01Lux@(F1.2,AGC ON) ; B/W:0Lux@(IR LED ON)
S/N Ratio	55dB
IR Distance	Smart IR up to 200m
IR On/Off Control	Auto/Manual
IR LEDs	10pcs

## LENS

Focal Length	4.5~135mm
Max. Aperture	F1.6~F4.4
Angle of View	H:59.8°~2.3°
Optical Zoom	30x
Focus Control	Auto/Manual
Close Focus Distance	1000mm~1500mm

## IMAGE

Pan/Tilt Range	Pan: 0° ~ 360° endless, Tilt: -10° ~ +90°
Manual Control Speed	Pan: 0.1° ~180° /s, Tilt: 0.1° ~90° /s
Preset Speed	Pan: 180° /s, Tilt: 90° /s
Presets	400
PTZ Mode	6 Track, 12 Tour, 12 Scan
Speed Setup	Auto/Manual (0-8)
Power up Action	Support
Idle Motion	Activate Preset/ Scan/ Tour/ Track if there is no command in the specified period

## INTELLIGENCE

Auto Tracking	Support
IVS	Perimeter, Single Virtual Fences, Double Virtual Fences, Loiter, Multi Loiter, Object Left, Object Removed, Abnormal Speed, Converse, Illegal Parking, Signal Bad

## AUDIO

Compression	G.711,RAM_PCM
Bit Rate	64kbps (G.711), 128kps (RAW_PCM)

## INTERFACE

Ethernet	1 Ethernet (10/100 Base-T) RJ-45 Connector
Audio Interface	1ch Audio In, 1ch Audio Ou
Alarm	7ch Alarm In, 2ch Alarm Out
RS485	Yes

BNC Output	Yes
Reset Button	Yes (Built-in)

## VIDEO

Compression	H.265+, H.265, H.264, MJPEG
Streaming Capability	3 Streams
Stream / Frame Rate	Stream1: 1920×1080/1280×720 @50/60fps Stream2: 1080/D1/VGA/640×360/ CIF/QVGA @25/30fps Stream3: VGA/CIF/QVGA @25/30fps
Bit Rate Control	CBR/VBR
Bit Rate	Stream1: 500kbps~12000kbps Stream2: 100kbps~6000kbps Stream3: 100kbps~3000kbps
Day/Night	Auto(ICR) / Color / B/W
Image Enhancement	BLC/HLC/WDR(120dB)
White Balance	Auto/Tungsten/Fluorescent/Day-light/Shadow/Manual
Gain Control	Auto/Manual
Noise Reduction	2D/3D DNR
Electronic Image Stabilization (EIS)	N/A
Defog	Yes
Digital Zoom	16x
Mirror	Support
Region of Interest	Off / On (8 Zone)
Motion Detection	Off / On
Privacy Masking	Off / On (4 Area, Rectangle)

## NETWORK

Ethernet	RJ-45 (10/100Base-T)
Protocols	IPv4/IPv6, 802.1x, HTTP, HTTPS, TCP/IP, UDP/IP, RTSP, DHCP, NTP, RTCP/RTP, PPPoE, SMTP, DNS, UPnP, FTP, APR, SNMP
Interoperability	ONVIF, CGI
Streaming Method	Unicast
Max. User Access	10 Users
Edge Storage	Micro SD card slot 128GB
Web Viewer	<IE11, Chrome, Firefox
Smart Phone	IOS, Android

## GENERAL

Power Supply	AC24V / Hi-PoE (Power supply included)
Power Consumption	Less than 40W
Operating Temperature	Starting Temperature: -30°C ~ 60°C (-22°F ~ 140 °F) Working Temperature: -40°C ~ 60°C (-40°F ~ 140 °F)

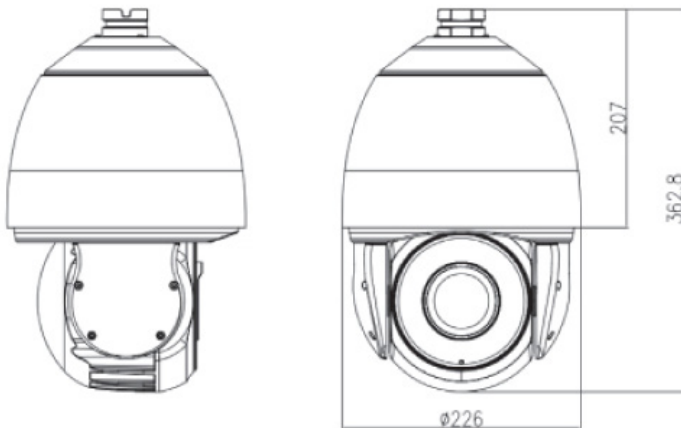
## SPECIFICATIONS

Storage Conditions	Less than 90% RH
Ingress Protection	IP66,TVS6000V
Certifications	CE/FCC
Casing	Metal
Dimensions	Φ226×362.8mm
Net Weight	5.2Kg

## ACCESSORIES

	MODEL	PART NO
Corner mount bracket	CB-AC506	1215038
Pole mount bracket	CB-AC406	1215039
Wall mount bracket	Included	

## DIMENSIONS



### CUBITECH LTD

R&D 12 Basepoint Business Centre, Enterprise Close, Christchurch, Dorset, Poole BH23 6NX, UK, T +44 (0) 1202 853237

DISTRIBUTION CENTER 4-6 Kiprou Str., 177 78, Tavros, Athens, Greece | T +30 210 9580887-8, F +30 210 9580885

E. info@cubitech.com | www.cubitech.com