



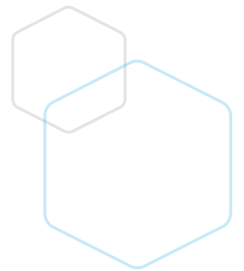
CB-BI850FT

Temperature Detection
Thermal IP Camera

IP66

H.265+

DNR



Key Features

- > Uncooled IRFPA Microbolometer
- > Temperature detection range (-40°C ~ 150°C)
- > Effective Pixels 400×300
- > Sensitivity 40mK
- > 8/15/25/35/50mm lens optional
- > Video Analytics Features
- > Infrared detection wavelength 8-14um
- > Support 8 areas temperature Detection
- > Support 17 color control
- > Support DVE image Enhance
- > Standalone operating

Overview

Featuring a fixed lens bullet camera, this series provides an all-in-one solution that is especially beneficial for long distance video surveillance in outdoor applications. Together with Thermal technology, the camera's long range capabilities are able to be utilized even at night.

SPECIFICATIONS

THERMAL CAMERA

Detector Type	Uncooled IRFPA Microbolometer
Effective Pixels	400(H) × 300(V)
Pixel Size	17µm
Thermal Sensitivity (NETD)	40mK @F1.0, 300K
Spectral Range	8~14um
Image Setting	Polarity LUT/ DVE/ Mirror/ FCC/ /3D DNR Brightness/Contrast/ ROI
Color Palettes	Black-Heat /White-Heat/Rainbow/ Iron-Red up to 17 modes

THERMAL LENS

Lens Type	Fixed
Focus Control	Manual Focus
Focal Length	8mm 15mm 25mm 35mm 50mm
F No.	F1.0
Angle of View	H: 43.6° V:18° H: 24° V:18° H: 14.6° V:11° H: 10.5° V:7.8° H: 7.3° V:5.5°
Detection Distance Fire (1m*1m)	235m 440m 735m 1030m 1470m
Detection Distance Man (1.8m*0.5m)	220m 420m 700m 990m 1410m
Detection Distance Vehicle (2.3m*2.3m)	540m 1010m 1690m 2370m 3380m
Recognition Distance Fire (1m*1m)	78m 145m 245m 340m 490m
Recognition Distance Man (1.8m*0.5m)	75m 140m 230m 330m 470m
Recognition Distance Vehicle (2.3m*1.3m)	180m 340m 560m 790m 1120m

VIDEO AND AUDIO

Compression	H.265+, H.264, MJPEG
Frame Rate	Main Stream: D1 @25/30fps Sub Stream: CIF @25/30fps
Bit Rate Control	CBR/VBR
Bit Rate	100Kbps~6Mbps
Region of Interest	Off / On (8 Zone, Rectangle)
Electronic Image Stabilization(EIS)	N/A
Digital Zoom	16x
Mirror	Support
Defog	Support
Motion Detection	Support
Privacy Masking	Off / On (5 Area, Rectangle)
DVE Image Enhance	Support
Audio Compression	G.711, AMR, RAW_PCM (Optional)

INTELLIGENCE

Intelligent Functions	Motion detection, Disk alarm, I/O alarm, Temperature alarm
IVS	Perimeter, Single Virtual Fences, Double Virtual Fences, Object Left, Object Removed

TEMPERATURE DETECTION

Detection Mode	Spot, Line, Area
Detection Preset	Spot: 20, Line: 2, Area: 16
Temperature Alarm	Over temperature alarm, Temperature difference alarm
Accuracy	±2 / ±2%
Response Time	≤30ms
Effective temperature working environment	-40 °C ~ 60 °C
Theory of temperature measurement range	-40 °C ~ 200 °C
Temperature display mode	Temperature target > 5°C, Display absolute temperature value; Temperature target ≤5°C, Display relative temperature value (temperature difference DEV = highest value - average)

NETWORK

Ethernet	RJ-45 (10/100Base-T)
Protocols	IPv4/IPv6, HTTP, RTSP/RTP/RTCP, TCP/UDP, DHCP, DNS, PPPOE, SMTP, SIP, 802.1x
Interoperability	ONVIF, CGI
Streaming Method	Unicast
Max. User Access	10 Users
Edge Storage	NAS Local PC for instant recording Mirco SD card 128GB
Web Viewer	<IE11, Chrome, Firefox
Web Language	English, Chinese, Polish, Italian, Portuguese, Spanish, Russian, French, Czech, Hungarian

INTERFACE

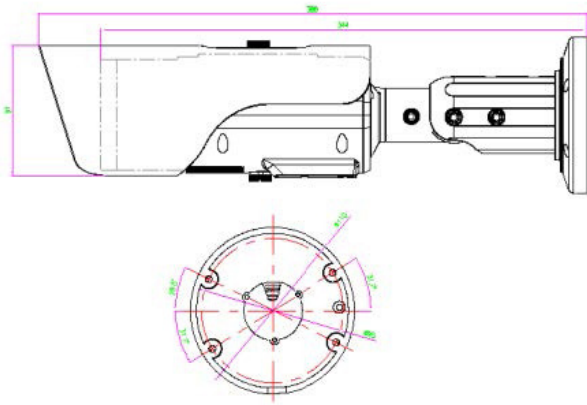
Ethernet	1 Ethernet (10/100 Base-T) RJ-45 Connector
Audio Interface	1ch Audio In, 1ch Audio Out
Alarm	2ch Alarm In, 2ch Alarm Out
RS485	Support
BNC Output	Support
Reset Button	Support

SPECIFICATIONS

GENERAL

Power Supply	DC12V/PoE
Power Consumption	Max 5W
Operating Temperature	-40 °C ~ 60 °C
Storage Conditions	0~ 90% RH
Certifications	CE /FCC
Ingress Protection	IP66
Casing	Metal
Dimensions	Φ 110×388mm
Net Weight	1900g

DIMENSIONS



MODELS

MODEL	PART NO	LENS	DETECTION DISTANCE-MAN	ALARM TRIGGER
CB-BI08FT	1132014	8mm	220m	Yes
CB-BI15FT	1132016	15mm	420m	Yes
CB-BI25FT	1132018	25mm	700m	Yes
CB-BI35FT	1132020	35mm	990m	Yes
CB-BI50FT	1132022	50mm	1410m	Yes

CUBITECH LTD