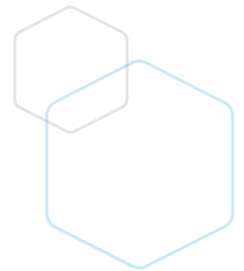




## CB-PI3030X-series

3MP Network IR PTZ  
with 30x Optical zoom



### Key Features

- > 1/2.8" Progressive Scan CMOS
- > 30x Optical Zoom, 16X Digital Zoom
- > H.265+ encoding, 3MP@25fps
- > WDR (120db)
- > Smart IR Range up to 400m (depending on model)
- > Auto Tracking, Video analytics features
- > Low bitrate, Good low light performance

### Overview

**CB-PI3030X-series** are outdoor PTZ cameras with 3MP resolution, 30X Optical Zoom and accurate pan/tilt/zoom performance, for wide area coverage and detailed surveillance at great distances. Adopting the latest technology, they offer excellent low light performance. **CB-PI3030X-series** are advanced True WDR cameras with Auto Tracking and embedded video analytics features, designed to meet the most demanding conditions of surveillance at any place (airports, train stations, arenas etc), where fast, precise and round-the-clock pan/tilt/zoom operation is a must.

## SPECIFICATIONS

### CAMERA

Image Sensor	1/2.8" Progressive Scan CMOS
Effective Pixels	2048(H) x 1536(V)
Scanning System	Progressive
Electronic Shutter	Auto/Manual, 1/5~1/20,000s
Min. illumination	Color:0.01Lux@(F1.2,AGC ON) ; B/W:0Lux@(IR LED ON)
S/N Ratio	55dB
IR Distance	Smart IR up to 200m / up to 400m for model CB-PI3030XL
IR On/Off Control	Auto/Manual
IR LEDs	6pcs (models CB-PI3030XR, CB-PI3030XP)
Laser LEDs	4pcs (model CB-PI3030XL)

### LENS

Focal Length	4.5~135mm
Max. Aperture	F1.6~F4.4
Angle of View	H:59.8°~2.3°
Optical Zoom	30x
Digital Zoom	16x
Auto Iris	Yes
Focus Control	Auto/Manual
Close Focus Distance	1000mm~1500mm

### IMAGE

Pan/Tilt Range	Pan: 0° ~ 360° endless, Tilt: -10° ~ +90°
Manual Control Speed	Pan: 0.1° ~180° /s, Tilt: 0.1° ~90° /s
Preset Speed	Pan: 180° /s, Tilt: 90° /s
Presets	400
PTZ Mode	6 Track, 12 Tour, 12 Scan
Speed Setup	Auto / Manual (0-8)
Power up Action	Support
Idle Motion	Activate Preset/ Scan/ Tour/ Track if there is no command in the specified period

### INTELLIGENCE

Auto Tracking	Support
IVS	Perimeter, Single Virtual Fences, Double Virtual Fences, Loiter, Multi Loiter, Object Left, Object Re- moved, Abnormal Speed, Converse, Illegal Parking, Signal Bad

### VIDEO

Compression	H.265+, H.264, MJPEG
Streaming Capability	3 Streams

### Stream / Frame Rate

Stream1:	2048×1536/1920×1080/1280×720 @25/30fps
Stream2:	1080/D1/VGA/640×360/CIF/QVGA @25/30fps
Stream3:	VGA/CIF/QVGA @25/30fps

### GENERAL

Power Supply	AC24V / Hi-PoE (for models CB-PI3030XP & CB-PI3030XL)
Power Consumption	Less than 40W
Operating Temperature	Starting Temperature: -30°C ~ 60°C (-22°F ~ 140 °F) Working Temperature: -40°C ~ 60°C (-40°F ~ 140 °F)

Storage Conditions	Less than 90% RH
Ingress Protection	IP66,TVS6000V
Certifications	CE/FCC
Casing	Metal
Dimensions	Φ226×362.8mm
Net Weight	5.2Kg
Bit Rate Control	CBR/VBR
Bit Rate	Stream1: 500kbps~12000kbps Stream2: 100kbps~6000kbps Stream3: 100kbps~3000kbps

Day/Night	Auto(ICR) / Color / B/W
Image Enhancement	BLC/HLC/WDR(120dB)
White Balance	Auto/Tungsten/Fluorescent/ Daylight/Shadow/Manual
Gain Control	Auto/Manual
Noise Reduction	2D/3D DNR
Electronic Image Stabilization (EIS)	N/A
Defog	Yes
Mirror	Support
Region of Interest	Off / On (8 Zone)
Motion Detection	Off / On
Privacy Masking	Off / On (4 Area, Rectangle)

### AUDIO

Compression	G.711, RAM_PCM
Bit Rate	64kbps (G.711), 128kps (RAW_PCM)

### NETWORK

Ethernet	RJ-45 (10/100Base-T)
Protocols	IPv4/IPv6, 802.1x, HTTP, HTTPS, TCP/IP, UDP/IP, RTSP, DHCP, NTP, RTCP/RTP, PPPoE, SMTP, DNS, UPnP, FTP, APR, SNMP

## SPECIFICATIONS

Interoperability	ONVIF, CGI
Streaming Method	Unicast
Max. User Access	10 Users
Edge Storage	Micro SD card slot 128GB
Web Viewer	<IE11, Chrome, Firefox
Smart Phone	IOS, Android

## INTERFACE

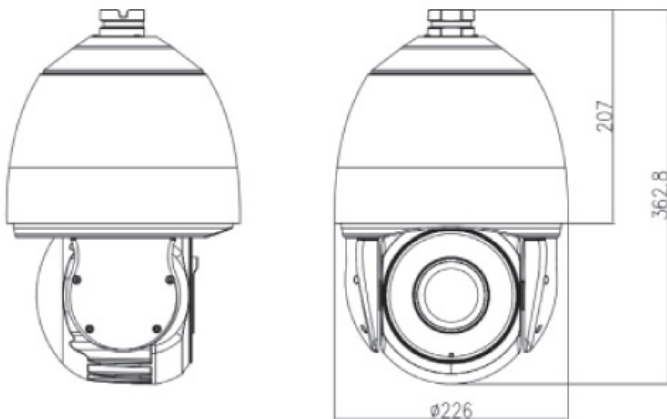
Ethernet	1 Ethernet (10/100 Base-T) RJ-45 Connector
Audio Interface	1ch Audio In, 1ch Audio Out
Alarm	7ch Alarm In, 2ch Alarm Out
RS485	Yes
BNC Output	Yes
Reset Button	Yes (Built-in)

MODEL	PART NO	IR DISTANCE	HI-POE
PI3030XR	1136046	up to 200m	Yes (Power supply included)
PI3030XP	1136048	up to 200m	Yes (PoE injector included)
PI3030XL	1136050	up to 400m (Laser IRs)	Yes (PoE injector included)

## ACCESSORIES

	MODEL	PART NO
Corner mount bracket	CB-AC506	1215038
Pole mount bracket	CB-AC406	1215039
Wall mount bracket	Included	

## DIMENSIONS



## CUBITECH LTD

R&D 12 Basepoint Business Centre, Enterprise Close, Christchurch, Dorset, Poole BH23 6NX, UK, T +44 (0) 1202 853237

DISTRIBUTION CENTER 4-6 Kiprou Str., 177 78, Tavros, Athens, Greece | T +30 210 9580887-8, F +30 210 9580885

E. info@cubitech.com | www.cubitech.com