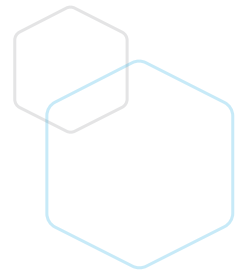




CB-DIB2036F

2MP Network IR Eyeball



Key Features

- > 1/2.7" Progressive Scan CMOS
- > 2.8mm
- > 25fps/30fps@2MP(1920*1080)
- > Triple Streams
- > Smart IR Up to 20m
- > Low bitrate, Excellent low light performance
- > True WDR, 3D DNR
- > ROI, Defog, HLC, Corridor mode, DIS
- > IP66

Overview

CB-DIB2036F is designed for efficient installation and can offer excellent video performance. The specific fixed dome camera is designed for indoor environments where a discreet and compact solution is required, while at the same time it is the perfect solution for video surveillance in exposed areas such as garages, yards, balconies etc.

SPECIFICATIONS

CAMERA

Image Sensor	1/2.7" Progressive Scan CMOS
Effective Pixels	1920(H)×1080(V)
Scanning System	Progressive
Electronic Shutter	1/5-1/20000s
Min. illumination	Color:0.01Lux@(F1.2,AGC ON) , B/W:0Lux@(IR LED ON)
S/N Ratio	55dB
IR Range	Up to 20m
IR On/Off Control	Auto / Manual
IR LEDs	18pcs
Pan/Tilt/Rotation Range	Pan:0°~360°, Tilt:0°~90°, Rotation:0°~360°

LENS

Lens Type	Fixed
Iris	Fixed Iris
Focal Length	2.8mm
F Number	F2.0
Angle of View	105°
Focus Control	Fixed
Close Focus Distance	0.5m

VIDEO

Compression	H.265,H.264,MJPEG
Max. Resolution	1080P (1920×1080)
Streaming Capability	3 Streams
Stream / Frame Rate	Stream1: 1920×1080/1280×720 @25/30fps Stream2: D1/VGA/640×360/CIF/QVGA @25/30fps Stream3: VGA/CIF/QVGA @25/30fps
Bit Rate Control	CBR/VBR
Bit Rate	Stream1: 500kbps~12000kbps Stream2: 100kbps~6000kbps Stream3: 100kbps~3000kbps
Day/Night	ICR
Image Enhancement	HLC / Defog / WDR (120dB)
White Balance	Support
Gain Control	Auto/Manual
Noise Reduction	2D/3D DNR
Electronic Image Stabilization(EIS)	Support
Smart IR	Support
Mirror	Support
Region of Interest	Support
Motion Detection	Support
Privacy Masking	Support

AUDIO

Compression	N/A
Bit Rate	N/A

INTELLIGENCE

IVS	Perimeter, Single Virtual Fences, Double Virtual Fences, Loiter, Multi Loiter, Object Left, Object Removed, Abnormal Speed, Converse, Illegal Parking, Signal Bad
-----	---

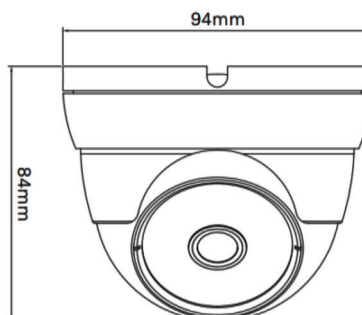
NETWORK

Protocols	IPv4/IPv6, 802.1x, HTTP, HTTPS, TCP/IP, UDP/IP, RTSP, DHCP, NTP, RTCP/RTP, PPPoE, SMTP, DNS, UPnP, FTP, ARP, SNMP
Interoperability	ONVIF
Streaming Method	Unicast
Max. User Access	10 Users
Web Viewer	<IE11, Chrome, Firefox
Smart Phone	IOS, Android

INTERFACE

Power Supply	DC12V/PoE
Power Consumption	2W(IR LED OFF), 4.5W (IR LED ON)
Operating Temperature	Starting Temperature: -30°C ~ 50°C (-22°F ~ 122°F) Working Temperature: -30°C ~ 50°C (-22°F ~ 122°F)
Operating Humidity	Less than 90% RH
Ingress Protection	IP66
Certifications	CE / FCC
Casing	Metal
Dimensions	Φ94×84mm
Net Weight	350g

DIMENSIONS



CUBITECH LTD