



CB-BIS4028VIL

4MP IR Bullet Network Camera

4.0 MP IP67 PoE IK10 ONVIF

ICR 3D DNR HLC BLC AUTO IRIS WDR

Key Features

- > 1/3" progressive scan CMOS
- > 2.7 ~ 12 mm motorized lens
- > 25/30fps @ 4MP(2592×1520)
- > Triple streams
- > WDR, 3D DNR, ROI, HLC, BLC, Aisle mode, Defog, EIS
- > Smart IR up to 50 m
- > IP67, IK10

SPECIFICATIONS

CAMERA

Image Sensor	1/3" Progressive Scan CMOS
Min. illumination	Color 0.05Lux;IR ON 0 Lux
ICR - IR Cut Filter	Yes
Shutter Time	1/5-1/20000
Auto Iris	Yes
Wide Dynamic Range	True WDR >120dB
Digital Noise Reduction	2D/3D
Lens Type/ Focal Length	2.7-12mm, Motorized Varifocal
Iris	Auto Iris
FOV	100° - 30°
IR Distance	50m

IMAGE

Video Compression	H.265+/265/264, MJPEG
Bit Rate (CBR/VBR)	Stream 1: 200Kbps-12Mbps Stream 2: 100Kbps-6Mbps Stream 3: 100Kbps-3Mbps
Audio Compression	G.711, RAW_PCM
Max.Resolution	2592*1520/2560*1440@30fps, 2304*1296@30fps, 920*1080@30fps
Stream	Stream1: 2592×1520, 2560×1440, 2304×1296, 1920×1080, 1280×720 @ 25/30fps Stream2: D1, VGA, 640×360,CIF, QVGA @ 25/30fps Stream3: VGA, CIF, QVGA @ 25/30fps
Image Enhancement	HLC/BLC/Anti-shake/Defog /WDR
White Balance	Auto
Gain Control	Auto/Manual
Mirror	Support
Noise Reduction	2D/3D DNR
Aisle Mode	Support
Region of Interest	Off/On (8 Zone, Rectangle)
Motion Detection	Support
Privacy Masking	Support

NETWORK

Supported Protocols	IPv4/IPv6, 802.1x, HTTP, HTTPS, TCP/ IP, UDP/IP, RTSP, DHCP, NTP, RTCP/ RTP, PPPoE, SMTP, DNS, UPnP, FTP, ARP, SNMP, TLS/SSL
Alarm Trigger	Perimeter, Single, Virtual Fences, Double Virtual Fences, Loiter, Object Left, Object Removed, Abnormal Speed, Converse, Illegal Parking, Sig- nal Bad, Motion Detection, Network disconnect, Disk alarm
Interoperability	ONVIF, SDK, CGI
Streaming Method	Unicast
Max. User Access	10 Users
Web Viewer	<IE11, Chrome, Firefox

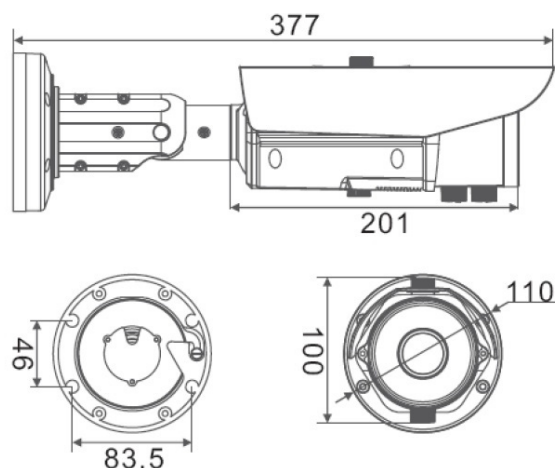
INTERFACE

Ethernet	1 Ethernet (10/100 Base-T) RJ-45 Connector
Audio I/O	1ch input, 1ch output
Alarm I/O	1ch input, 1ch output
RS485	Yes
CVBS Output	Support
Reset Button	Yes
Edge Storage	Micro SD slot, Max 128GB

GENERAL

Power Supply	DC12V/PoE (PoE+ Compatible)
Power Consumption	Max 10.5W
Operating Temperature	Starting Temperature: -30°- +60° (-22°-140°) Working Temperature: -40°- +60° (-40°~140°)
Operating Humidity	0% - 90% RH
Protection Level	IP67, IK10
Certifications	CE / FCC
Dimensions	φ110 x 377mm
Net Weight	1680g

DIMENSIONS



CUBITECH LTD